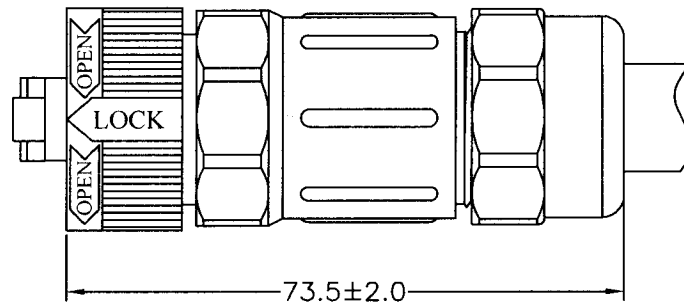


Note:
 Waterproof Rate : IP 68
 UV Resist
 Assembly Length 73.5±2.0

7	Sealing Nut	Nylon+GF Black
6	Rubber Seal	EPDM Black
5	Clamp Ring	Nylon + GF Black
4	RJ45 Plug	PC+SHELL
3	Knob Switch	Nylon + GF Black
2	Plug Housing	Shielded Plug 8Pin OR 10Pin
1	Power Pin	Brass Gold Plated 250V/5A
NO	NAME	SPECIFICATION



ORDERING CODE

RJ45PA - 088 Y D 12

RJ45 PLUG ASS'Y SERIES
 088=PLUG 8P8C
 100=PLUG 10P10C
 Y=W/POWER TERMINAL
 N=W/O POWER TERMINAL
 D=W/DUST COVER
 N=W/O DUST COVER
 NUT ID OPTION
 12=Ø12.0 16=Ø16.0

詮盛企業股份有限公司 CHIEN SHEIN ENTERPRISE CO.,LTD.	TITLE	QUICK PULL IN-OUT WATER PROOF RJ45 PLUG ASS'Y TYPE	TOLERANCE	DRAWN	許建華	DATE	2011.01.12		
	PART NO.	RJ45PA-088Y-D12	DIM.	CHECK		DATE			
	DWG.NO.	RJ45PA-088Y-D12	.0 ±0.30	APPROVE		DATE			
			.00 ±0.20	SCALE	1:1	UNIT	mm	REV.	01
			.000 ±0.10						