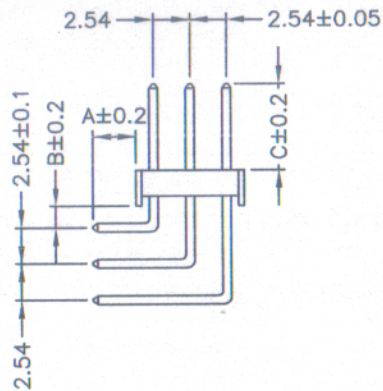
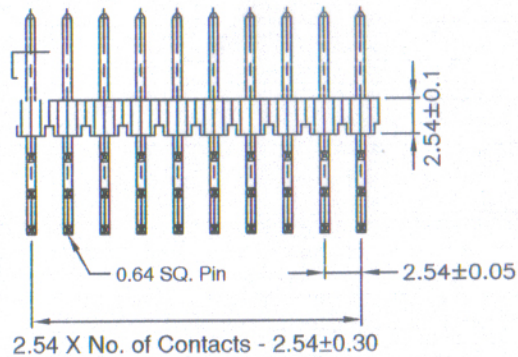
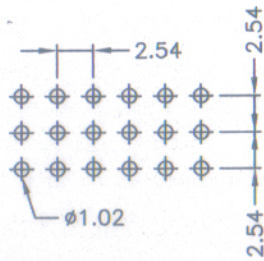


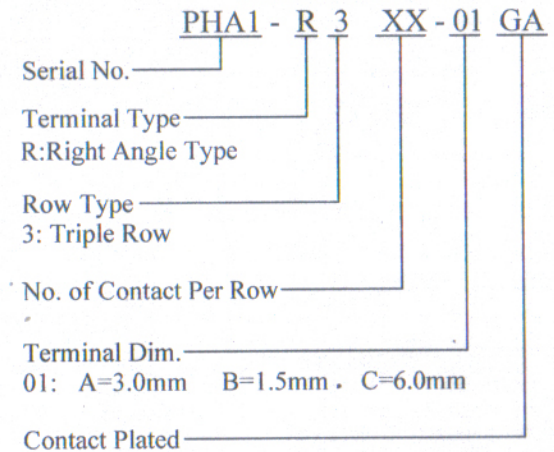
Recommended
P.C. Board Hole Layout



Specifications

- * Current Rating: 3 Amps
- * Insulator Resistance: 1,000M Ω min.
- * Contact Resistance: 20 Ω max.
- * Dielectric Withstanding : AC 600V
- * Operating Temperature : -40°C~+105°C
- * Contact Material :Brass
- * Insulator Material: Polyester, UL 94V-0
Standard: Nylon-6T
- * Contact Plated: Full Gold, Full Tin, Selective Plated

Order Information



Contact Plating Option	Full Gold Plating	Full Tin Plating
	GA: Gold Flash	TA: Tin 100u"

詮盛企業股份有限公司 CHIEN SHERN ENTERPRISE CO.,LTD.	TITLE	Pin Header P:2.54mm Triple Rows, Right Angle Type	TOLERANCE	DRAWN	許建華	DATE	2009.03.05		
	PART NO.	PHA1-R3XX-01GA	DIM.	CHECK		DATE			
	DWG.NO.	PHA1-R3XX-01GA	.0 ±0.30	APPROVE		DATE			
			.00 ±0.20	SCALE	2:1	UNIT	mm	REV.	01
			.000 ±0.10						