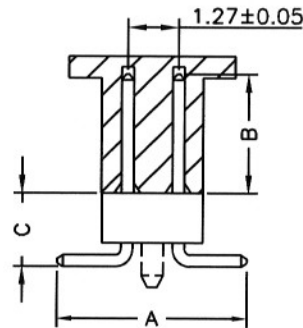
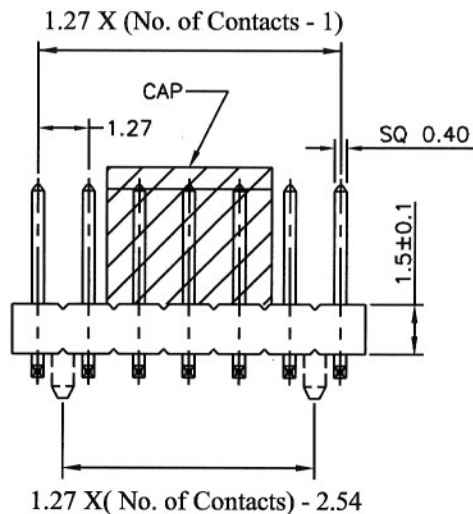


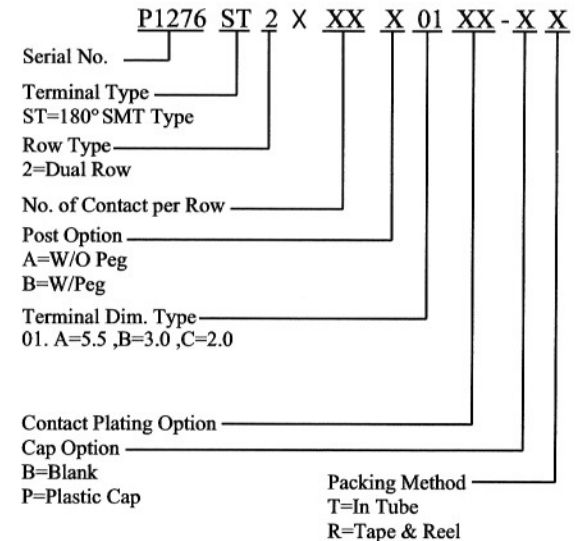
P.C.B LAYOUT



Specifications

- * Material: Insulator: Polyester, UL 94V-0
Standard: Nylon6T
- * Contact: 0.40mm (.016") square pin, brass,
- * Current rating: 1Amps
- * Temperature range: -40°C ~ +105°C
- * Insulation resistance: 5,000MΩ min.
- * Dielectric Withstanding : AC 500V
- * Contact Plated: See Option / Standard: Full Gold

Order Information



Contact Plating Option

Full Gold Plating	Gold Plating On Contact Area Tin Plating On Solder Area	Full Tin Plating
GA=Gold Flash GC=Gold 10u" GD=Gold 15u" GE=Gold 30u"	SA=Gold Flash SC=Gold 10u" SD=Gold 15u" SE=Gold 30u"	TA=Tin 100u"

詮盛企業股份有限公司

CHIEN SHERN ENTERPRISE CO.,LTD.

TITLE	Pin Header Pitch 1.27X1.27mm Dual Row Plastic Height 1.5mm SMT180° Type	GENERAL TOLERANCE		DRAWN	許建華	DATE	2005.07.10
PART NO.	P1276ST2X06A01GA-PT	DIM:		CHECK		DATE	
DWG.NO.	P1276ST2X06A01GA-PT	X. ±0.5		APPROVE		DATE	
		X.X ±0.25		SCALE	2:1	UNIT	mm
		X.XX ±0.2				REV.	01
		X.XXX ±0.08					