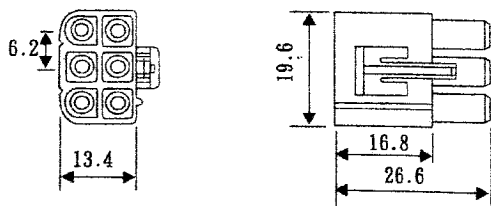
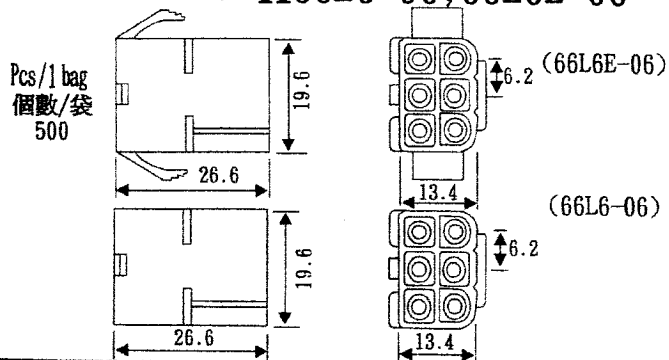


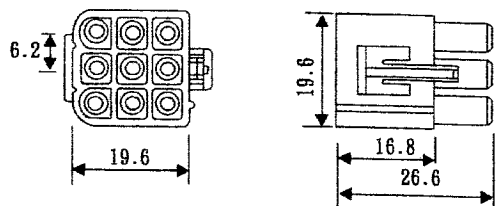
PART NO: H66L5-06



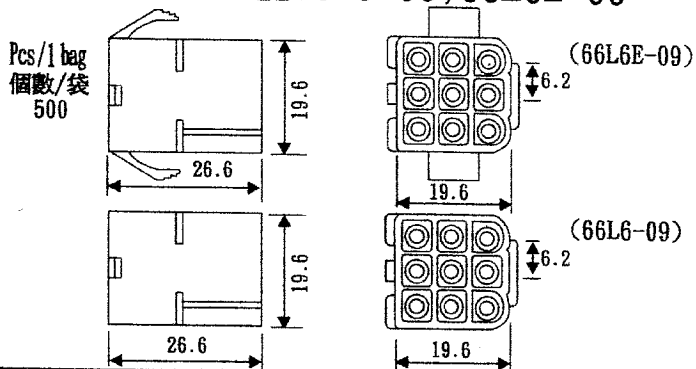
PART NO: H66L6-06, 66L6E-06



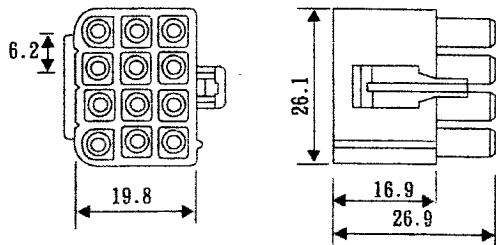
PART NO: H66L5-09



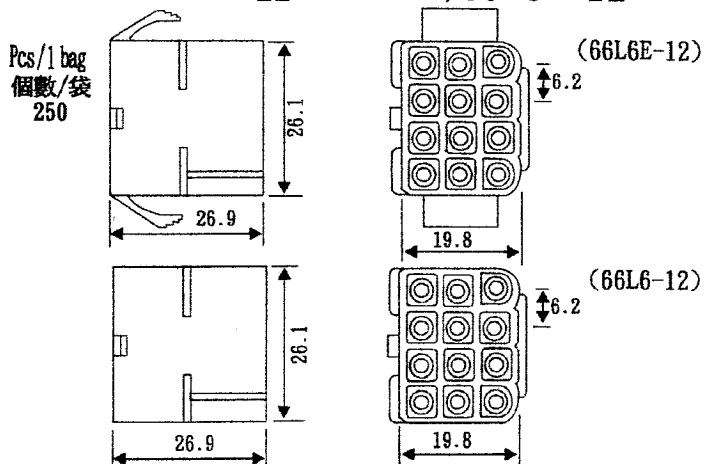
PART NO: H66L6-09, 66L6E-09



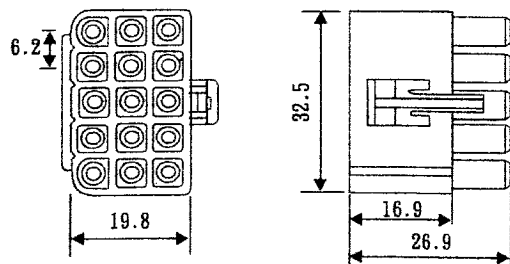
PART NO: H66L5-12



PART NO: H66L6-12, 66L6E-12



PART NO: H66L5-15



PART NO: H66L6-15, 66L6E-15

