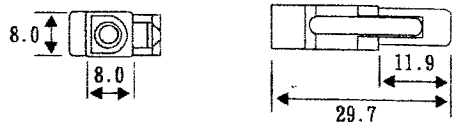
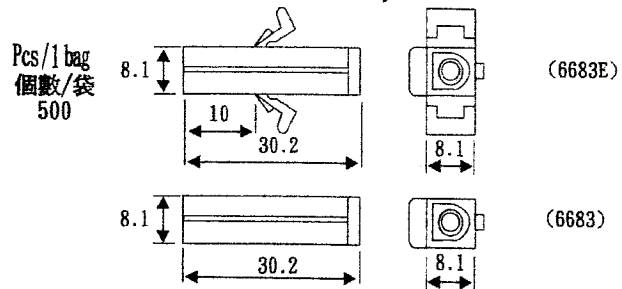


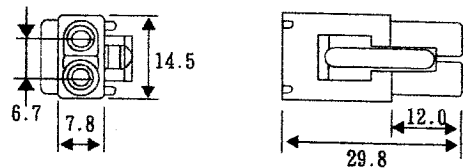
PART NO : H6682-01



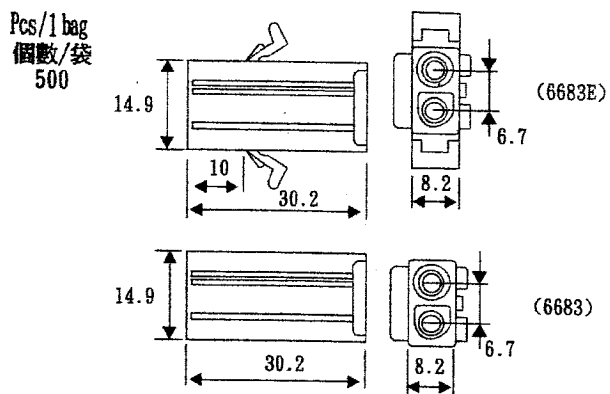
PART NO : H6683-01, H6683E-01



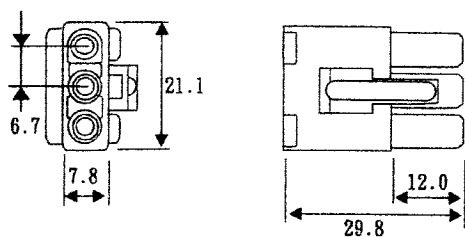
PART NO : H6682-02



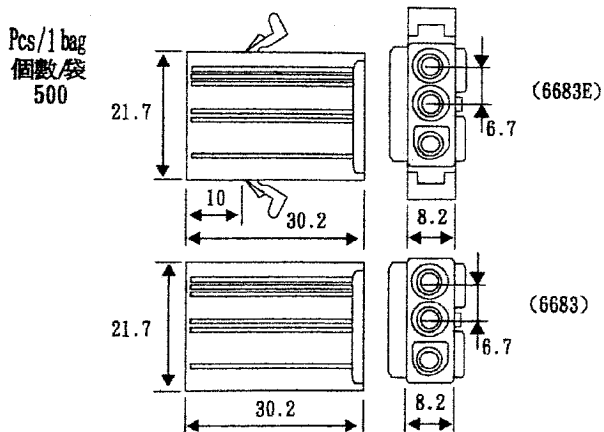
PART NO : H6683-02, H6683E-02



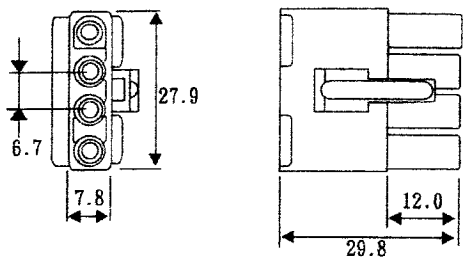
PART NO : H6682-03



PART NO : H6683-02, H6683E-03



PART NO : H6682-04



PART NO : H6683-04, H6683E-04

