

.200"(5.08mm) pitch wire to board headers dip type CHS

CW5081 Series

- * Material: Insulator: NYLON66 UL94V-2
- * Contact: 1.14mm(.045") square pin, brass, tin plated
- * Mates with CH5081 series housing

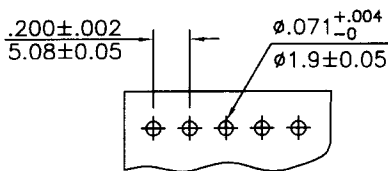
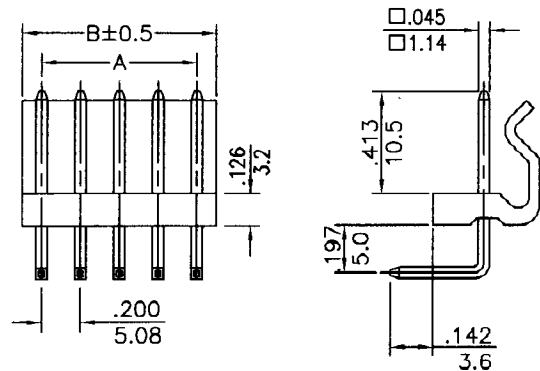
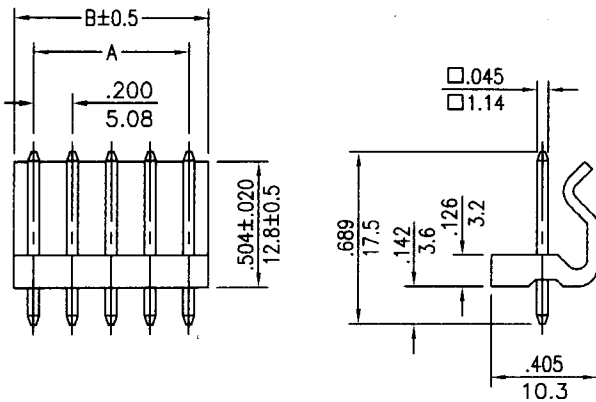
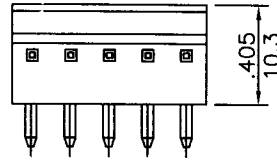
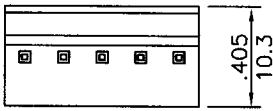
Specifications

- * Current rating: 7A AC, DC
- * Voltage rating: 250V AC, DC
- * Temperature range: -25°C~+85°C
- * Insulation resistance: 1,000M Ω min.
- * Withstand voltage: 1500V AC/minute
- * Applicable PC board thickness: .063"(1.6mm)

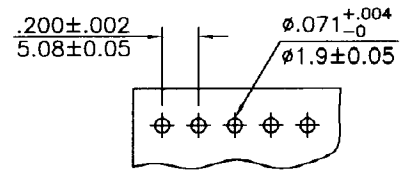
inches
mm

P/N: CW5081S-XX

P/N: CW5081R-XX



P.C. Board Layout



P.C. Board Layout

CIRCUITS	PART NO.	DIMENSION in.(mm)		CIRCUITS	PART NO.	DIMENSION in.(mm)	
		A	B			A	B
2	CW5081X-02	0.200(5.08)	0.400(10.16)	7	CW5081X-07	1.200(30.48)	1.400(35.56)
3	CW5081X-03	0.400(10.16)	0.600(15.24)	8	CW5081X-08	1.400(35.56)	1.600(40.64)
4	CW5081X-04	0.600(15.24)	0.800(20.32)	9	CW5081X-09	1.600(40.64)	1.800(45.72)
5	CW5081X-05	0.800(20.32)	1.000(25.40)	10	CW5081X-10	1.800(45.72)	2.000(50.80)
6	CW5081X-06	1.000(25.40)	1.200(30.48)				