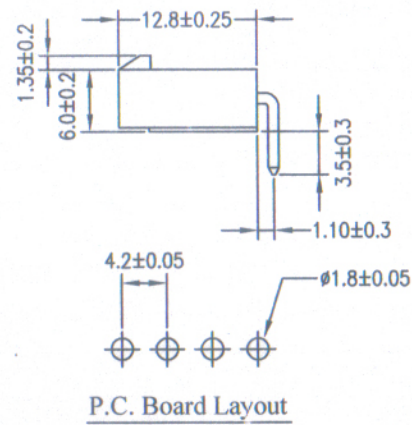
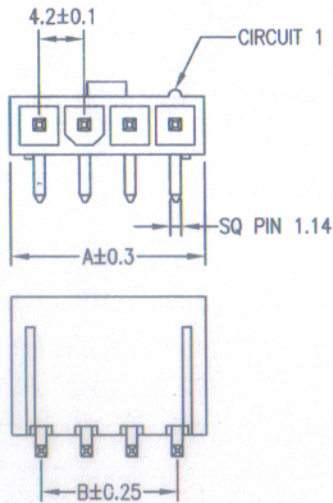


P/N: CW4269R-XXA2T

**Features and Information**

Available in 2-6 Circuit Header  
 Header: Nylon66 UL94V-2 or 94V-0  
 Header pin: Brass Tin-plated  
 Temperature: -40°C TO +105°C  
 Voltage Rating: 500V  
 Current Rating: 8 Amps Max  
 Contact Resistance: 10 milli ohms Max  
 Insulation Resistance: 1000 Megohms Min  
 Dielectric With standing Voltage: 1500V AC  
 Mates with CH4257-XX Series Housing  
 Mechanical and Physical  
 Contact Insertion Force: 1.5Kg max  
 Contact Retention to Header: 3.0Kg min  
 Insertion Force to PCB: 5.0kg max

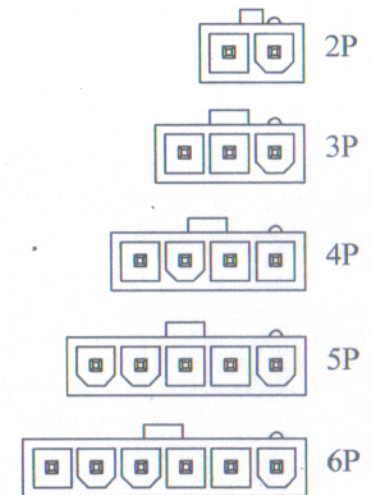
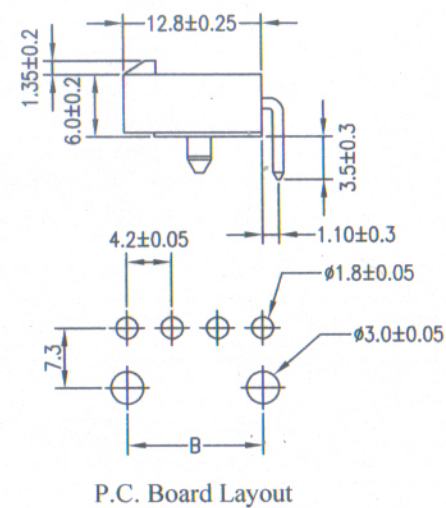
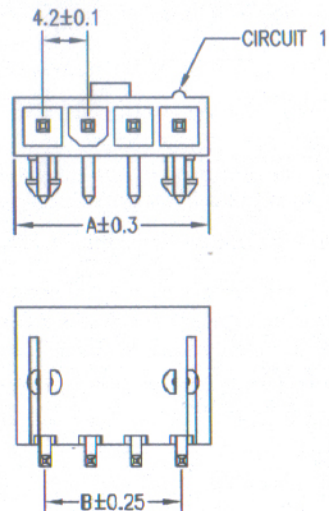


**ORDER INFORMATION**

CW4269RB - XX A2 T  
 1 2 3 4

- Series No.  
 CW4269R=Without Pegs  
 CW4269RB=With Pegs
- Contact No. Of.  
 (02~06)
- Insulator Material:  
 A2=NYLON66 UL 94V-2 Natural
- Terminal Plating  
 T=Tin Plated

P/N: CW4269RB-XXA2T



CIRCUITS	DIMENSION	
	A	B
2	9.6	4.20
3	13.8	8.40
4	18.0	12.60
5	22.2	16.80
6	26.4	21.00

詮盛企業股份有限公司  
 CHIEN SHERN ENTERPRISE CO.,LTD.

TITLE	4.2mm(.165") Pitch Right Angle Header
PART NO.	CW4269RX-XXA2T
DWG.NO.	CW4269RX-XXA2T

GENERAL TOLERANCE	DRAWN	許建華	DATE	2006.04.09		
DIM: X. ±0.5 X.X ±0.25 X.XX ±0.2 X.XXX ±0.08	CHECK		DATE			
	APPROVE		DATE			
	SCALE	3:2	UNIT	mm	REV.	01