

.156"(3.96mm) pitch single row headers



CW3962 Series

- * Poles:2-12
- * Material:Insulator:NYLON UL94V-0 White
- * Contact:1.14mm(.045") square pin,brass,tin plated
- * Mates with CH3962-XX series housing

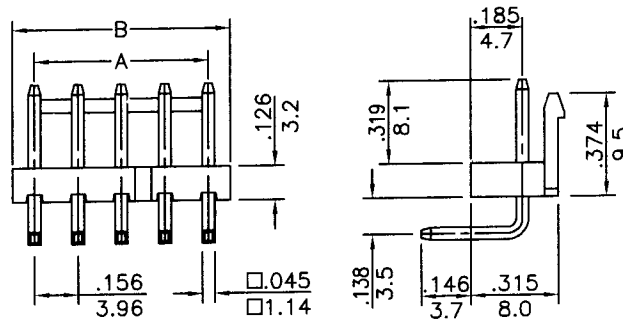
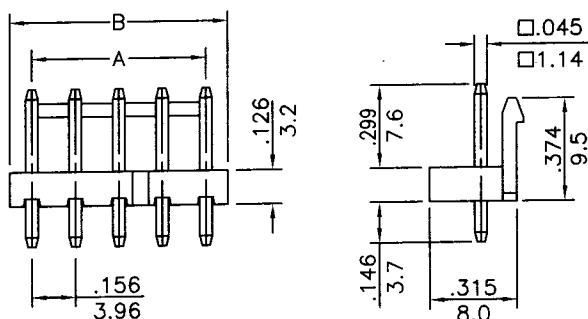
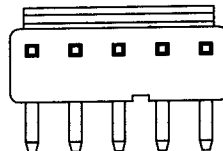
Specifications

- * Current rating: 5A AC, DC
- * Voltage rating: 250V AC, DC
- * Temperature range: -25°C~+85°C
- * Insulation resistance: 1,000MΩ min.
- * Withstand voltage: 1500V AC/minute
- * Applicable PC board thickness: .063" (1.6mm)

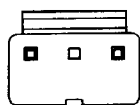
P/N: CW3962S-XX

P/N: CW3962R-XX

inches
mm

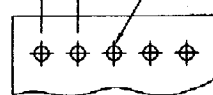
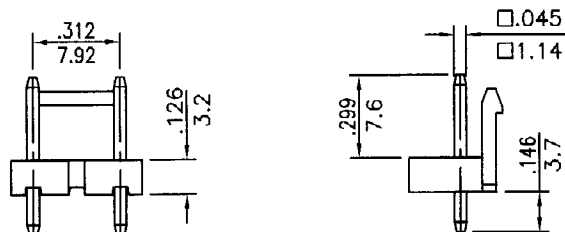


P/N: CW3962S-03K2



$.156 \pm .002$
 3.96 ± 0.05

$\phi 0.075 \pm .004$
 $\phi 1.9 \pm 0.05$



P.C. Board Layout

CIRCUITS	PART NO.	DIMENSION in.(mm)		CIRCUITS	PART NO.	DIMENSION in.(mm)	
		A	B			A	B
2	CW3962X-02	0.156(3.96)	0.320(8.12)	8	CW3962X-08	1.091(27.72)	1.255(31.88)
3	CW3962X-03	0.312(7.92)	0.476(12.08)	9	CW3962X-09	1.247(31.68)	1.415(35.94)
4	CW3962X-04	0.468(11.88)	0.631(16.04)	10	CW3962X-10	1.403(35.64)	1.571(39.90)
5	CW3962X-05	0.624(15.84)	0.787(20.00)	11	CW3962X-11	1.559(39.60)	1.727(43.86)
6	CW3962X-06	0.780(19.80)	0.943(23.96)	12	CW3962X-12	1.715(43.56)	1.883(47.82)
7	CW3962X-07	0.935(23.76)	1.099(27.92)				