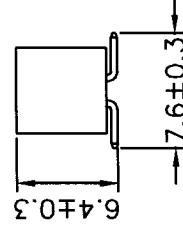
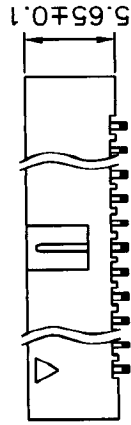
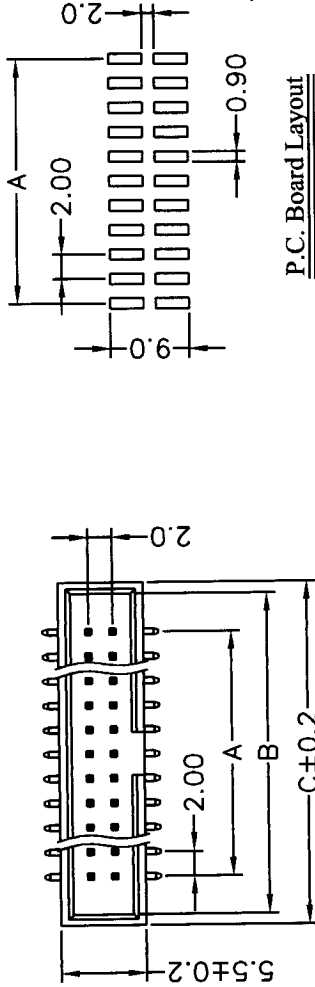


NOTES

- * Material: Insulator: NYLON 6T UL94V-0 BLACK
 - * Contact: 0.50mm(0.020") square pin, brass, gold plated
- Specifications**
- * Current rating: 3A AC, DC
 - * Voltage rating: 250V AC, DC
 - * Temperature range: -40°C~+105°C
 - * Insulation resistance: 5,000MΩ min.
 - * Withstand voltage: 1000 AC/minute



| CIRCUITS | PART NO. | DIMENSION | | |
|----------|---------------|-----------|-------|-------|
| | | A | B | C |
| 6 | CW2008ST-2X3 | 4.00 | 12.10 | 13.10 |
| 8 | CW2008ST-2X4 | 6.00 | 14.10 | 15.10 |
| 10 | CW2008ST-2X5 | 8.00 | 16.10 | 17.10 |
| 12 | CW2008ST-2X6 | 10.00 | 18.10 | 19.10 |
| 14 | CW2008ST-2X7 | 12.00 | 20.10 | 21.10 |
| 16 | CW2008ST-2X8 | 14.00 | 22.10 | 23.10 |
| 18 | CW2008ST-2X9 | 16.00 | 24.10 | 25.10 |
| 20 | CW2008ST-2X10 | 18.00 | 26.10 | 27.10 |
| 22 | CW2008ST-2X11 | 20.00 | 28.10 | 29.10 |
| 24 | CW2008ST-2X12 | 22.00 | 30.10 | 31.10 |
| 26 | CW2008ST-2X13 | 24.00 | 32.10 | 33.10 |
| 30 | CW2008ST-2X15 | 28.00 | 36.10 | 37.10 |
| 32 | CW2008ST-2X16 | 30.00 | 38.10 | 39.10 |
| 34 | CW2008ST-2X17 | 32.00 | 40.10 | 41.10 |
| 36 | CW2008ST-2X18 | 34.00 | 42.10 | 43.10 |
| 40 | CW2008ST-2X20 | 38.00 | 46.10 | 47.10 |
| 44 | CW2008ST-2X22 | 42.00 | 50.10 | 51.10 |
| 50 | CW2008ST-2X25 | 48.00 | 56.10 | 57.10 |
| 60 | CW2008ST-2X30 | 56.00 | 66.10 | 67.10 |
| 64 | CW2008ST-2X32 | 62.00 | 70.10 | 71.10 |
| 68 | CW2008ST-2X34 | 66.00 | 74.10 | 75.10 |

| | | | | | |
|---|---------|---------------------------------------|------|------|------------|
| GENERAL TOLERANCE | | DRAWN | 許建華 | DATE | 2005.11.02 |
| | | CHECK | | DATE | |
| DIM: X ±0.5 X.X ±0.25 X.XX ±0.2 X.XXX ±0.08 | APPROVE | | | DATE | |
| | SCALE | 2:1 | UNIT | mm | REV. 01 |
| | | | | | |
| TITLE | | 2.00mm pitch dual row SMT Box headers | | | |
| PART NO. | | CW2008ST-2xXX | | | |
| DWG.NO. | | CW2008ST-2xXX | | | |
| <p>詮盛企業股份有限公司</p> <p>CHIEN SHERN ENTERPRISE CO.,LTD.</p> | | | | | |