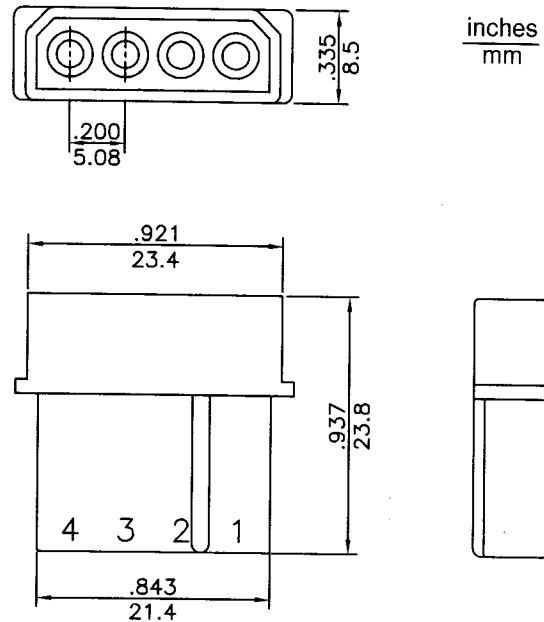


.200"(5.08mm) pitch power connectors



CH398-04 Series

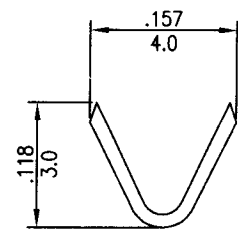
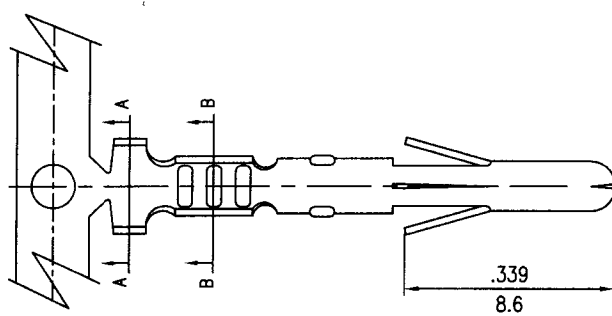
- * Poles:4
 - * Material:NYLON 66 UL94V-2
 - * Suitable CT398HT series terminal
- Specifications
- * Current rating: 5A AC, DC
 - * Voltage rating: 250V AC, DC
 - * Temperature range: -25°C~+105°C
 - * Insulation resistance: 1,000MΩ min.
 - * Withstand voltage: 1,500V AC/minute



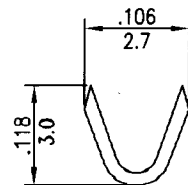
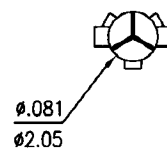
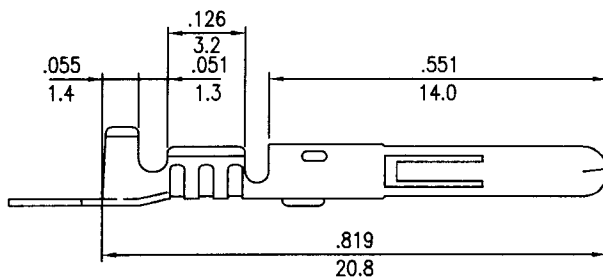
.200"(5.08mm) pitch crimp terminal

CT398HT Series

- * Material:Brass
- * Finished: Tin-plated
- * Used in CH398-04 series housings
- * Wire range:AWG#16~#18
- * Insulation O.D:2.50mm(max)
- * Thickness:0.25mm
- * Q'TY:7,000pcs/reel



A-A SECTION



B-B SECTION