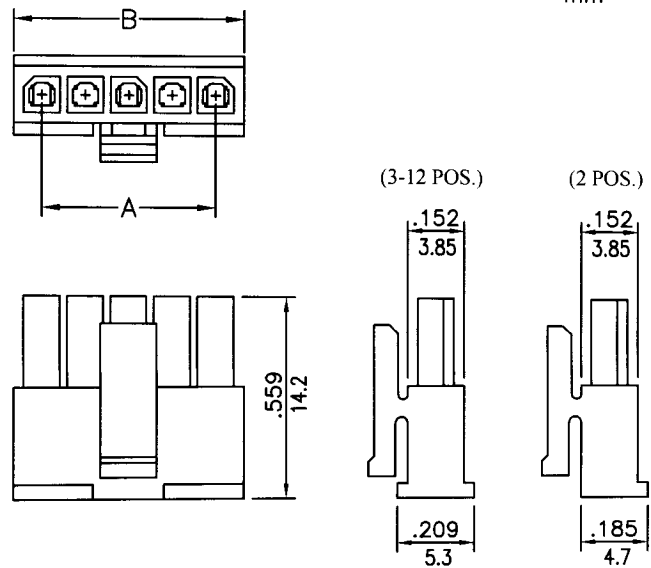


.118"(3.00mm) pitch Single row Wire to Wire Receptacle



CH3025S Series

- * Poles:2-12
 - * Material:Polyester, UL94V-0 BLACK
 - * Suitable CT3025T series terminal
 - * Mates with CH3020S/W3015 series Header
- Specifications
- * Current rating: 5A AC, DC
 - * Voltage rating: 250V AC, DC
 - * Temperature range: -25°C~+85°C
 - * Insulation resistance: 1,000MΩ min.
 - * Withstand voltage: 1500V AC/minute



CIRCUITS	PART NO.	DIMENSION in.(mm)		CIRCUITS	PART NO.	DIMENSION in.(mm)	
		A	B			A	B
2	CH3025S-02	0.118(3.0)	0.270(6.85)	8	CH3025S-08	0.827(21.0)	0.978(24.85)
3	CH3025S-03	0.236(6.0)	0.388(9.85)	9	CH3025S-09	0.945(24.0)	1.096(27.85)
4	CH3025S-04	0.354(9.0)	0.506(12.85)	10	CH3025S-10	1.063(27.0)	1.215(30.85)
5	CH3025S-05	0.472(12.0)	0.624(15.85)	11	CH3025S-11	1.181(30.0)	1.333(33.85)
6	CH3025S-06	0.591(15.0)	0.742(18.85)	12	CH3025S-12	1.299(33.0)	1.451(36.85)
7	CH3025S-07	0.709(18.0)	0.860(21.85)				

.118"(3.0mm) pitch crimp terminal

CT3025T Series

- * Material:Phosphor bronze
- * Finished:Tin-plated 60u"
- * Used in CH3025/CH3025S series housings
- * Wire Range:AWG#22~#28
- * Thickness:0.20mm
- * Q'TY:10,000pcs/reel

