

.100"(2.54mm) pitch Wire to Wire Connectors

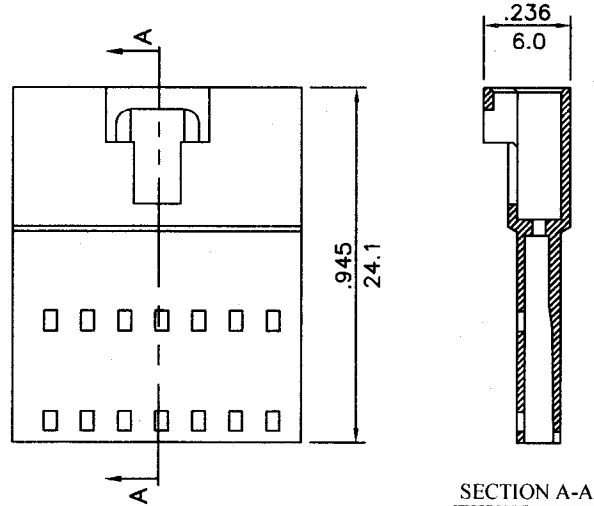
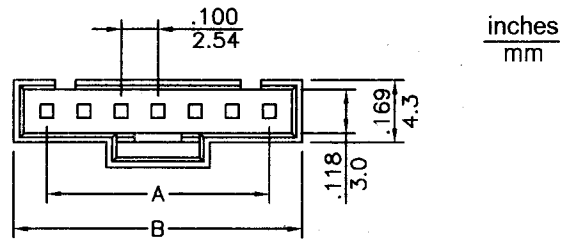
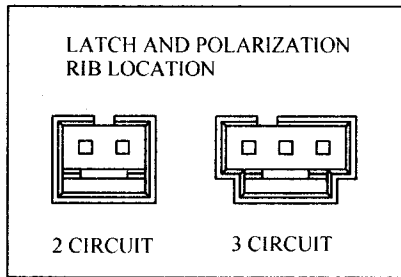


CH2547A1-XX Series

- * Poles: 2-15
- * Material: PBT UL94V-0, BLACK
- * Suitable CT2547T series terminal
- * Mates with CH2543-XX series housings

Specifications

- * Current rating: 2.5A AC, DC
- * Voltage rating: 250V AC, DC
- * Temperature range: -25°C~+85°C
- * Insulation resistance: 1,000MΩ min.
- * Withstand voltage: 800V AC/minute

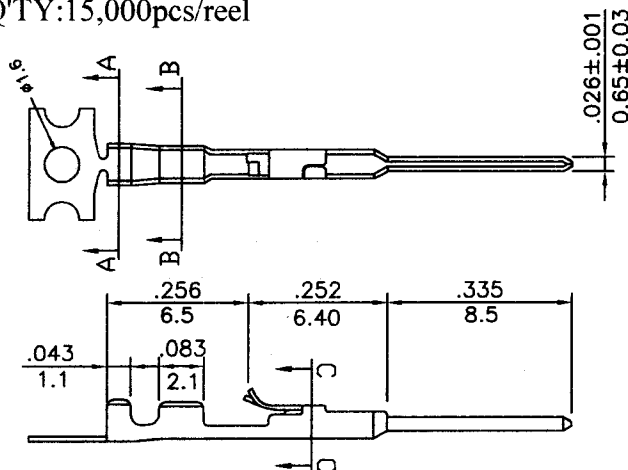


CKTS	PART NO.	DIMENSION in.(mm)		CKTS	PART NO.	DIMENSION in.(mm)	
		A	B			A	B
2	CH2547A1-02	0.100(2.54)	0.280(7.1)	9	CH2547A1-09	0.800(20.32)	0.980(24.9)
3	CH2547A1-03	0.200(5.08)	0.382(9.7)	10	CH2547A1-10	0.900(22.86)	1.079(27.4)
4	CH2547A1-04	0.300(7.62)	0.480(12.2)	11	CH2547A1-11	1.000(25.40)	1.181(30.0)
5	CH2547A1-05	0.400(10.16)	0.579(14.7)	12	CH2547A1-12	1.100(27.94)	1.280(32.5)
6	CH2547A1-06	0.500(12.70)	0.681(17.3)	13	CH2547A1-13	1.200(30.48)	1.378(35.0)
7	CH2547A1-07	0.600(15.24)	0.780(19.8)	14	CH2547A1-14	1.300(33.02)	1.445(37.6)
8	CH2547A1-08	0.700(17.78)	0.882(22.4)	15	CH2547A1-15	1.400(35.56)	1.580(40.1)

.100"(2.54mm) pitch crimp terminal

CT2547T Series

- * Material: Phos bronze
- * Finished: Tin-plated
- * Used in CH2547A1-XX series housings
- * Wire range: AWG#24~#28
- * Insulation O.D: 1.60mm(max)
- * Thickness: 0.2mm
- * Q'TY: 15,000pcs/reel



inches
mm

