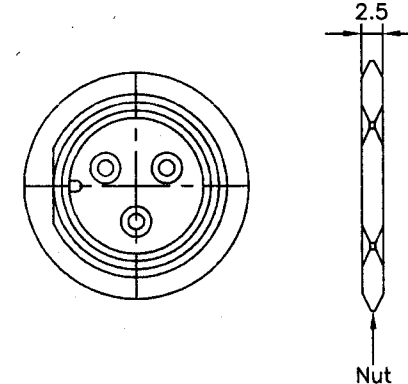
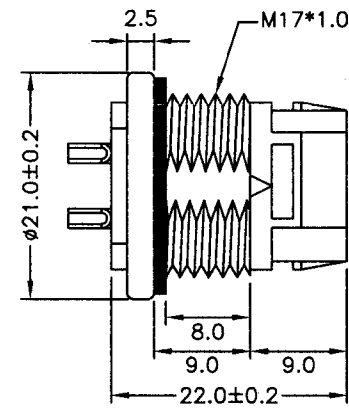
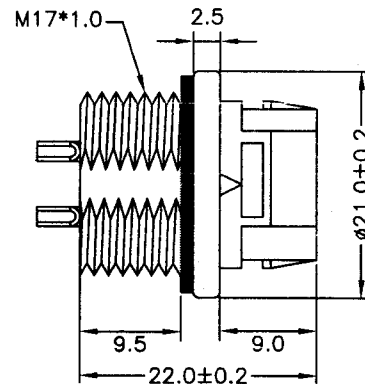
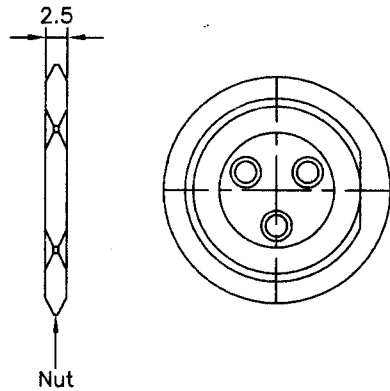


P/N: LJ125180SM-XXPI-D
MOUNT INNER TYPE 內鎖

P/N: LJ125180SM-XXPE-D
MOUNT OUTER TYPE 外鎖

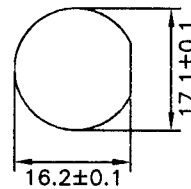


MATERIAL

Insulator: NYLON66 UL94V-0 +GF Black
Contact: Brass Gold 2u" over nickel plated

SPECIFICATIONS

Current Rating:
180SM=2P~5P(10A AC. DC)
100SM=4P~6P(5A AC. DC)
210SM=2P+5P(7A+3A)
075SM=10P~18P(2A AC. DC)



RECOMMENDED PANEL CUT-OUT
Applicable Panel Board Thickness:
2.0~4.0mm

ORDER CODE

LJ125 XXXSM - XX PE - D
 SERIES ————
 PIN OPTION ————
 NO. OF CONTACT ————
 PE=MOUNT OUTER TYPE ————
 PI=MOUNT INNER TYPE ————
 D=W/DUST COVER ————
 N=W/O DUST COVER ————

CIRCUITS	2P	3P	4P	5P	4P	5P	6P	2+5P	18P
ARRANGEMENT OF CONTACT									
SERIES	LJ125180SM-02B	LJ125180SM-03	LJ125180SM-04	LJ125180SM-05	LJ125100SM-04	LJ125100SM-05	LJ125100SM-06	LJ125210SM-07	LJ125075SM-18

詮盛企業股份有限公司 CHIEN SHERN ENTERPRISE CO.,LTD.	TITLE	QUICK PULL IN-OUT WATER PROOF CONNECOR MALE PIN PANAL MOUNT INNER&OUTER TYPE	TOLERANCE	DRAWN	DATE	2019.03.04
	PART NO.	LJ125XXXSM-XXPE-D	DIM.	CHECK	DATE	
	DWG.NO.	LJ125XXXSM-XXPE-D	0.0 ±0.30	APPROVE	DATE	
			0.00 ±0.20	SCALE	UNIT	mm