

MATERIAL:

Insulator: NYLON66 UL94V-0+GF Black

Contact: Brass Gold 2u" over nickel plated

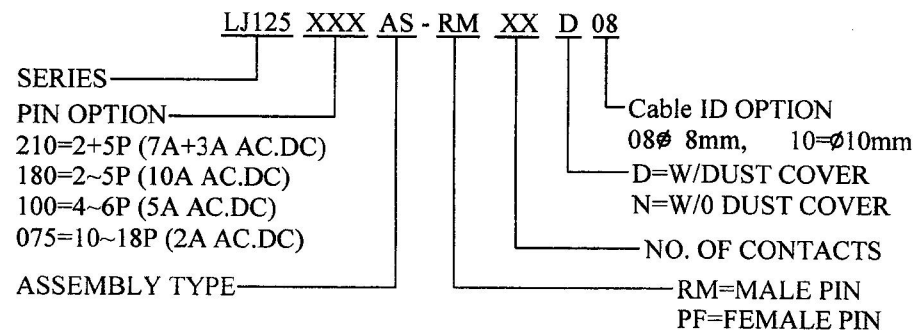
NOTES:

1.ASSEMBLY TOTAL LENGTH 57.0±2.0

2.WATERPROOF RATE:IP68

3.UV RESIST

ORDERING CODE



CIRCUITS	2P	3P	4P	5P	4P	5P	6P	2+5P	18P
ARRANGEMENT OF CONTACT									
SERIES	LJ125180-02B	LJ125180-03	LJ125180-04	LJ125180-05	LJ125100-04	LJ125100-05	LJ125100-06	LJ125210-07	LJ125075-18

詮盛企業股份有限公司 CHIEN SHERN ENTERPRISE CO.,LTD.	TITLE	QUICK PULL IN-OUT WATER PROOF CONNECTOR MALE PIN ASS'Y	TOLERANCE	DRAWN	許建華	DATE	2011.05.25
	PART NO.	LJ125XXXAS-RMXXD08	DIM.	CHECK		DATE	
	DWG.NO.	LJ125XXXAS-RMXXD08	0. ±0.50	APPROVE		DATE	
			0.0 ±0.30	SCALE		UNIT	mm