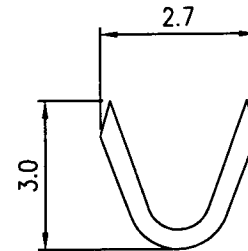
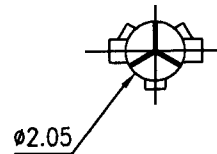
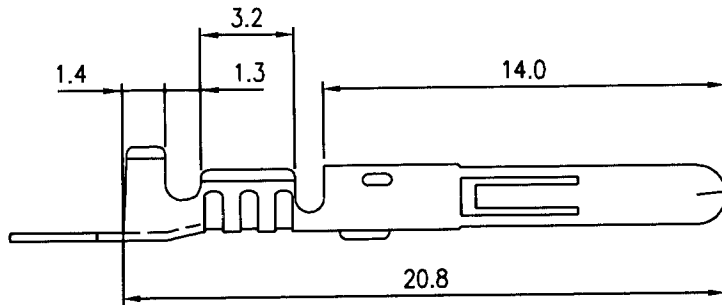


A-A SECTION



B-B SECTION

■ **TERMINAL**

- Part No: CT398 H
- Material: Brass
- Thickness: 0.25mm
- Plating: Tin plated 60u"
- Wire Range: Suitable for AWG#16~18
- Insulation O.D: 2.5mm (max)
- Q'TY: 7,000 pcs/roll
- Accepts housing : CH398-04

詮盛企業股份有限公司

CHIEN SHERN ENTERPRISES CO.,LTD.

TITLE	5.08mm Pitch Crimp Terminal		GENERAL TOLERANCE		DRAWN		DATE	94/11/02		
	PARTS NO.	CT398H	DIM:	X.	±0.5	CHECK		DATE		
				X.X	±0.25	APPROVE		DATE		
				X.XX	±0.2	SCALE	8:1	UNIT	mm	REV.
DWG.NO.	CT398H	X.XXX	±0.08							