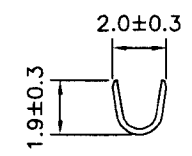
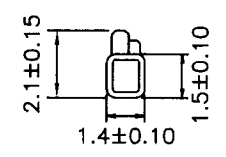
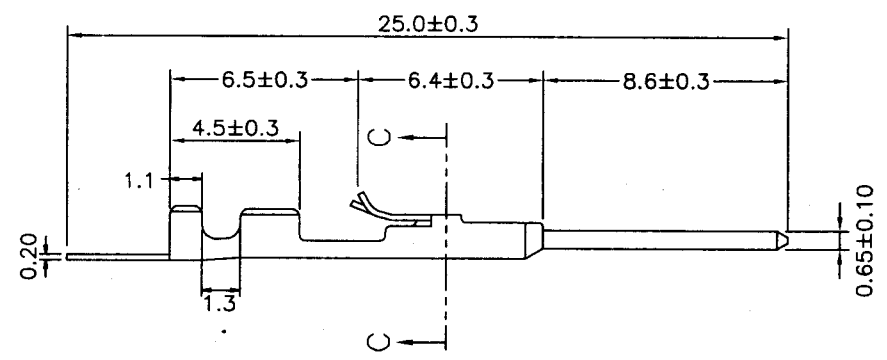


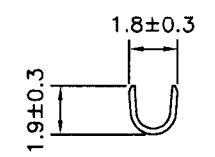
- \* Material: phos bronze
- \* Finished: Tin plated
- \* Used in CH2547A1-XX series housing
- \* Wire range: AWG#24~#28
- \* Q'TY: 15,000pcs/reel



Section A-A



Section C-C



Section B-B

詮盛企業股份有限公司 CHIEN SHERN ENTERPRISE CO.,LTD.	TITLE	2.54mm Pitch Male Crimp Terminal	TOLERANCE	DRAWN	DATE	2007.10.25
	PART NO.	CT2547T	DIM.	CHECK	DATE	
	DWG.NO.	CT2547T	0.0 ±0.25	APPROVE	DATE	
			0.00 ±0.20	SCALE	UNIT	mm
			0.000 ±0.08			