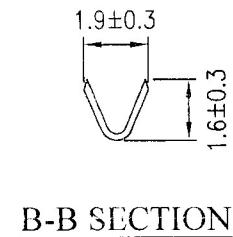
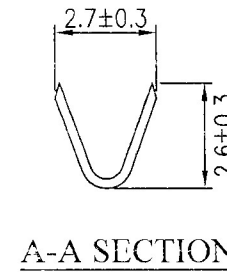
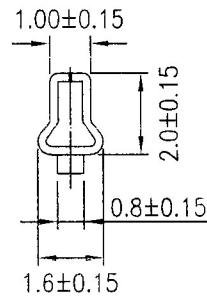
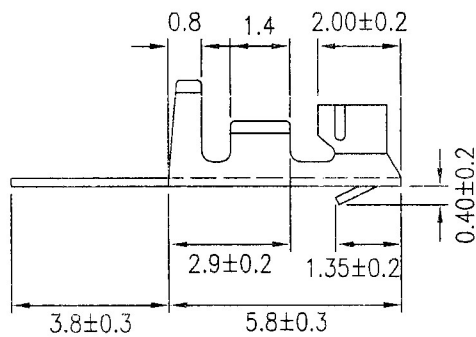


■ NOTES :

- Material: Phos. bronze
- Thickness: 0.2mm
- Plating: Tin plated
- Wire Range: Suitable for AWG#24~28
- Insulation O.D: 1.70mm (max)
- Accepts housing : CH2502-XX
- Q'TY: 10,000 pcs/roll



詮盛企業股份有限公司 CHIEN SHERN ENTERPRISE CO.,LTD.	TITLE	2.50mm Pitch Crimp Terminal	TOLERANCE	DRAWN		DATE	2005.11.02
	PART NO.	CT2502T	DIM.	CHECK		DATE	
	DWG.NO.	CT2502T	0.0 ±0.25	APPROVE		DATE	
			0.00 ±0.20	SCALE		UNIT	mm
			0.000 ±0.08				