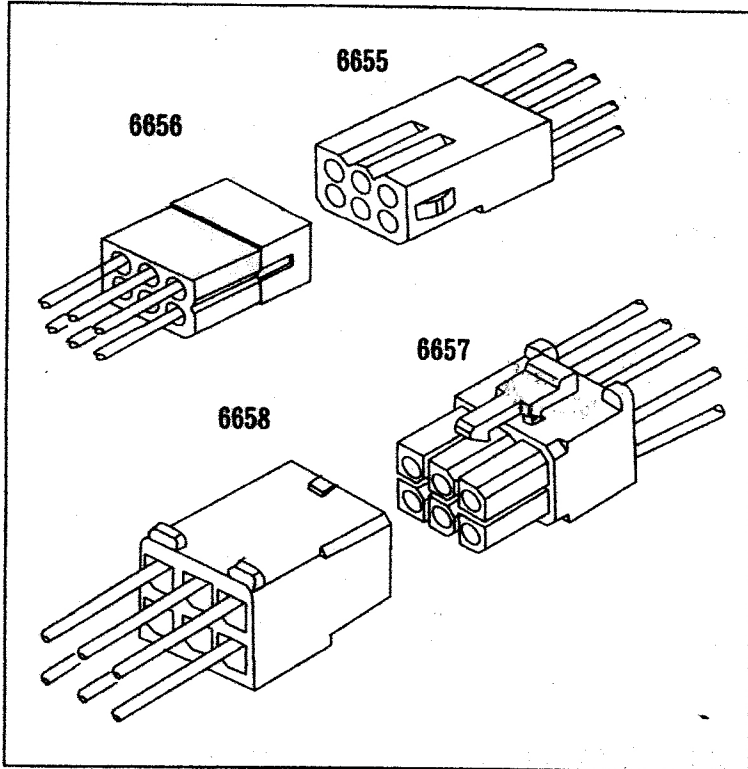


SERIES 6655, 6656
6657, 6658 .062" (ϕ 1.58m/m) Wire to Wire Connectors



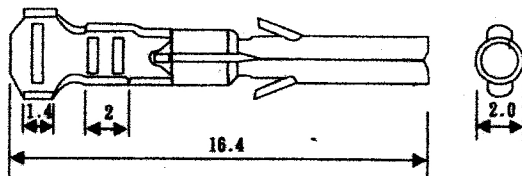
SPECIFICATIONS

- ⊛ Circuit: 1, 2, 3, 4, 5, 6, 9, 12, 15 (6655, 6656)
- ⊛ Circuit: 2, 3, 4, 6, 9, 12, 15 (6657, 6658)
- ⊛ Voltage rating: 250V AC, DC
- ⊛ Current rating: 6A AC, DC
- ⊛ Withstanding voltage: 1500V AC/minute
- ⊛ Insulation resistance: 1000M Ω min
- ⊛ Temperature range: -25°C ~ +85°C
- ⊛ Unit(單位): m/m
- ⊛ Material(材質): UL94V-2 nylon 66
- ⊛ Tolerance(公差) \pm 0.3 m/m
- ⊛ 6655, 6656, 6657, 6658 退端器共用
Terminal remover shared

WIRE RANGE	MATERIAL	PLATING	QUANTITY PER REEL
AWG			
22-18	BRASS	TIN-Plated	7000

WIRE RANGE	MATERIAL	PLATING	QUANTITY PER REEL
AWG			
22-18	BRASS	TIN-Plated	7000

PART NO : T6655T



PART NO : T6656T

